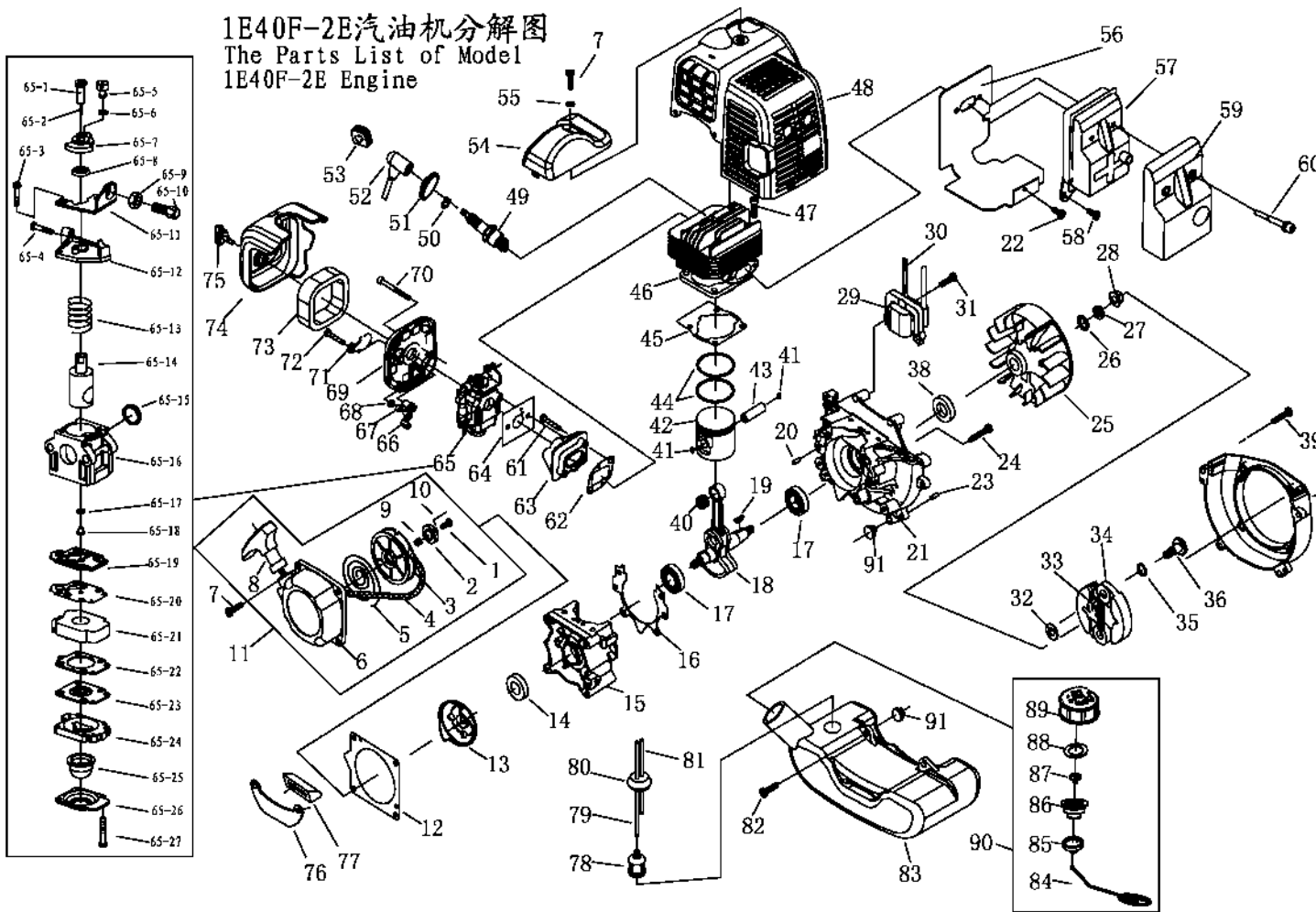


1E40F-2E汽油机分解图
The Parts List of Model
1E40F-2E Engine



NO.	Part No.	Part Name	Qty.
1	1E36FE. 9-3	Screw	1
2	1E36FE. 9-4	Ratchet	1
3	1E36FE. 9-1	Starter Rope Reel	1
4	1E36FE. 9-5	Starter Rope	1
5	1E36FE. 9-7	Recoil Spring	1
6	1E36FE. 9-8	Starter Cover Ass'y	1
7	GB70+GB93+GB97	Screw M5 x 20	5
8	1E40FP-3Z. 4-2	Start Handle	1
9	1E36FE. 9-6	Spring	1
10	1E36FE. 9-2	Start pole	2
11	1E36FE. 9	Starter	1
12	1E40F-5-10	Gasket	1
13	1E36FE. 7	Start Reel	1
14	1E36F. 2	Oil-seal	1
15	1E40F-E. 6-2	Crank Case	1
16	1E40F-5. 8-4	Gasket	1

NO.	Part No.	Part Name	Qty.
17	GB/T276	Bearing 6202/P6	2
18	1E40F-E. 4. 1A	Crank Shaft	1
19	GB1099	Key 3x5x13	1
20	GB119	Pin B4x10	2
21	1E40F-E. 6-1	Crank Case	1
22	GB70+GB93+GB97	Screw M4 x12	1
23	GB119	Pin B4x10	2
24	GB70.1	Screw M5 x 30	4
25	HA46. 2.1.1	MAGNETO ROTOR COMP.	1
26	GB/T97.1	Washer 8	1
27	GB/T859	Washer 8	1
28	GB6170	Nut M8	1
29	1E40F-E. 3.1-2	IGNITION COIL COMP.	1
30	1E36F-2. 3.1	Cord Comp.	1
31	GB70+GB93+GB97	Bolt M5x20	2
32	1E36F-3	Washer B	2
33	1E36F-E. 6B-1	Spring	1
34	1E36F-E. 6B	Expander	1
35	1E40F-5-11	Washer	2
36	P40-18	Screw Pin	2
37	1E40F-5-9	Fan Cover	1
38	1E40F-5. 9	Oil-seal	1
39	GB70+GB93+GB97	Screw M5 x 25	4
40	1E44F-2A. 2-3	Bearing	1
41	P40. 6-4	Ring	2
42	1E40F-E. 4-1	Piston	1
43	1E46FP. 6-3	Piston Pin	1
44	1E40FP-3Z. 3-5	Piston Ring	2
45	1E40F-E-3	Gasket	1
46	1E40F-2E-1A	Cylinder	1
47	GB/T70.1	Screw M5 x 20	4
48	1E44FL-E. 1A	Guide Cover Ass'y	1
49	L8RTC	Spark Plug	1
50	1E40F-3A. 8-2	Spring	1
51	1E34F. 5-3	Plug Cap	1
52	1E34F. 5-2	Cap	1
53	1E40F-5. 3-1A	Plug	1

NO.	Part No.	Part Name	Qty.
54	1E40F-E-4	Cover	1
55	1E36F-2C-1	Gasket	1
56	1E40F-E-2	Gasket	1
57	1E40F-2E-DZ. 2A	Muffler	1
58	GB70+GB93+GB97	Screw M5 x 12	2
59	1E40F-2E-DZ-1	Cover	1
60	GB70+GB97	Screw M6x 55-12.9	2
61	GB70+GB97	Screw M5 x 25	2
62	1E40-5-2	Gasket	1
63	1E44F-E-PBJ.7	Admitting Pipe	1
64	1E40F-5A-1	Gasket	1
65	1E40F-2E. 1A	Carburetor	1
65-1		Thimble	
65-2		Main Needle	1
65-3		Screw	1
65-4	GB/T823	Screw M3x 10	1
65-5		Swivel	2
65-6	GB896	Ring 3.5	1
65-7		Turn Frame	1
65-8		Ring	1
65-9	GB/T6172	Nut M6	1
65-10		Nut, Adjuster	1
65-11		Bracket	1
65-12		Fixed Board	1
65-13		Spring	1
55-14		Column	1
55-15		Ring	1
65-16		Over Body	1
65-17		O Ring	1
65-18		Pinhole	1
65-19		Gasket, Pump	1
65-20		Diaphragm, Pump	1
65-21		Mid-body	1
65-22		Gasket Diaphragm	1
65-23		Diaphragm	1
65-24		Body Purge	1
65-25		Pump Priming	1
65-26		Cover Pump	1

NO.	Part No.	Part Name	Qty.
65-27	GB/T818	Screw M3 x 22	1
66	1E34F. 1-2	Choker Handle	1
67	1E34F. 1-7	Stop ring	1
68	GB/T6170	Nut M4	1
69	1E34F. 1.1	Cleaner inside cover	1
70	GB70+GB97	Screw M5x50	2
71	1E34F. 1-3	Choker	1
72	GB/T845	Screw ST4. 2X12	1
73	1E34F. 1-1	Filter Net	1
74	1E36F-E. 7-1	Cleaner Outside Cover	1
75	1E34F. 1. 2	Screw	1
76	1E36F-E-5	Stand	1
77	1E40F-5A-2	Rubber Cover	1
78	P40.12. 2-3A	Cleaner Cover	1
79	CG420. 1. 3. 2-2	Fuel Pipe $\Phi 6 \times \Phi 3$ x 140	1
80	EB-415. 4. 2-2	Plug	1
81	EB-415.4.2-4	Fuel Pipe $\Phi 5 \times \Phi 2.5$ x 90	1
82	GB70.1+GB93+GB96	Screw M5 x 16	2
83	1E40F-HS. 5. 1	Fuel Tank	1
84	1E32FL. 6. 2-4	Chain	1
85	1E32FL. 6. 2-3	End Cover	1
86	1E32FL. 6. 2-2	Inside Cover	1
87	EB-415. 4.1.1-1	Inlet	1
88	CG420. 1. 3. 1-2	Gasket	1
89	1E32FL. 6. 2-1	Fuel Tank Lid	1
90	1E32FL. 6. 2	Lid Ass'y	1
91	1E40F-5A-3	Rubber washer	2