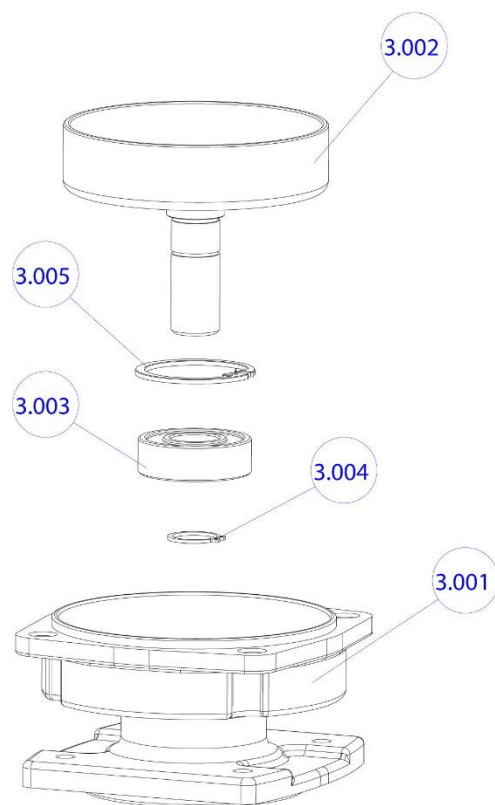


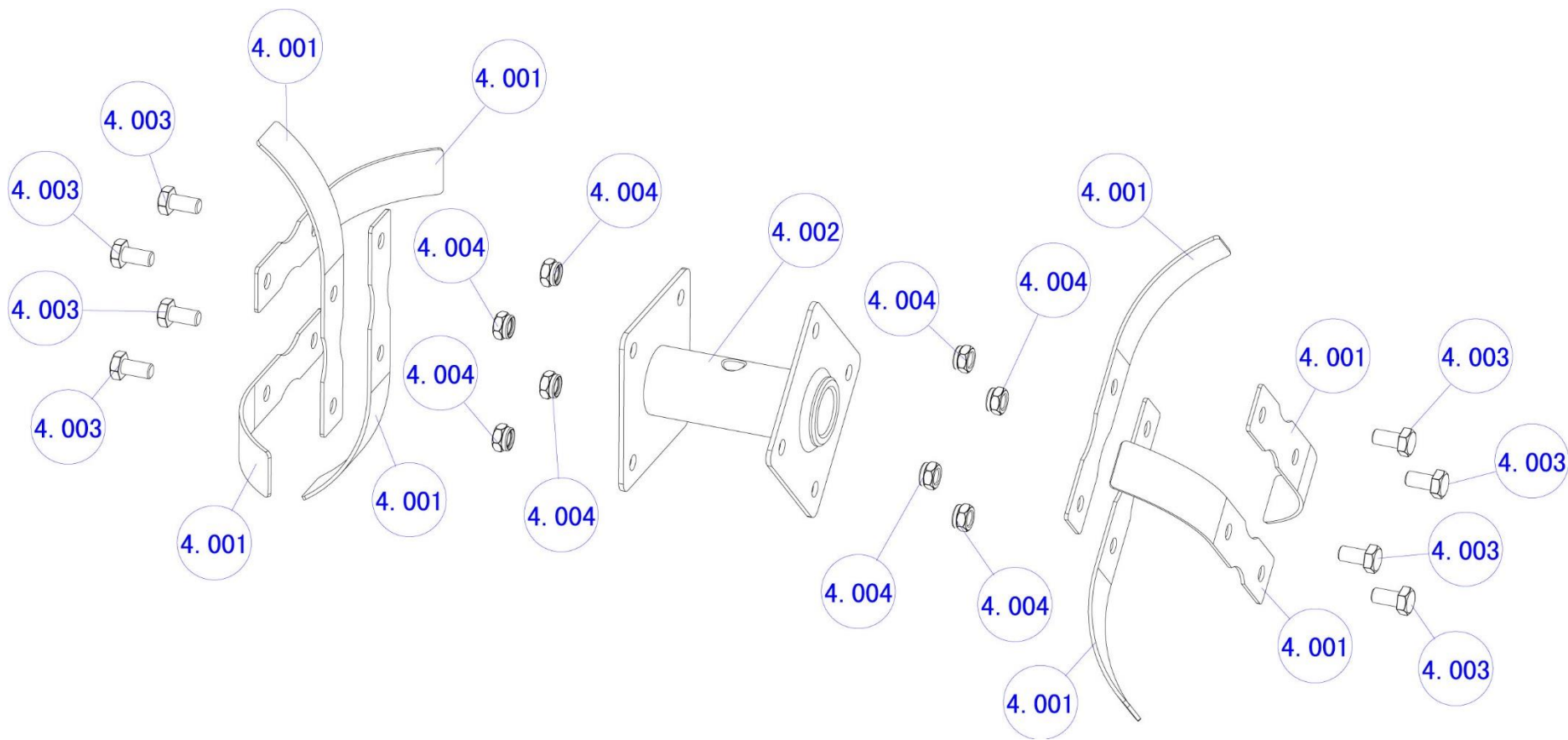
Serial No.	Parts name in English	Spec.	Drawing NO.	Explosive view No.	Qty	Parts NO.
2	Gear box assy			2,0	1	
3	Left gear box	ZL102	T10X.02-01	2,001	1	201205002
4	Right gear box	ZL102	T10X.02-02	2,002	1	201205003
5	Worm wheel assy	45#+ZQSn6-6-3	T10X.02-03	2,003	1	201205004
6	worm	40Cr	T10X.02-04	2,004	1	201205005
7	Seal ring	丁晴橡胶	T10X.02-05	2,005	1	201205006

8	Bearing	AXK1226	GB/T4605-1984	2,006	1	201205007
9	Oil bearing	FZ1460(铁基)	ZHsw.01-09	2,007	2	201205008
10	Oil bearing X	FZ1460(铁基)	ZHsw.01-08	2,008	1	201205009
11	Oil bearing D	FZ1460(铁基)	ZHsw.01-07	2,009	1	201205010
12	O-ring	$\phi 19 \times \phi 3.55$	GB/T3452.1-1992	2,010	4	G05004
13	Washer	45# ($\phi 34 \times \phi 19 \times 2$)	ZHsw.01-15	2,011	2	201205011
14	Seal hat	08F	ZHsw.01-10	2,012	2	201205012
15	Washer	45# ($\phi 20 \times \phi 11 \times 1.5$)	ZHsw.01-16	2,013	1	201205013
16	Oil seal	$\phi 18 \times \phi 12 \times 3$ W型	GB/T13781-1992	2,014	1	G05009
17	Screw	M5x16	GB/T70-1985	2,015	9	G01022
18	Nut	M5	GB/T1337-1988	2,016	9	G04007
19	Screw	M5x8	GB/T818-1985	2,017	1	G01082
20	Seal washer	$\phi 10 \times \phi 5.5 \times 1$	GB/T95-1985	2,018	1	201205014



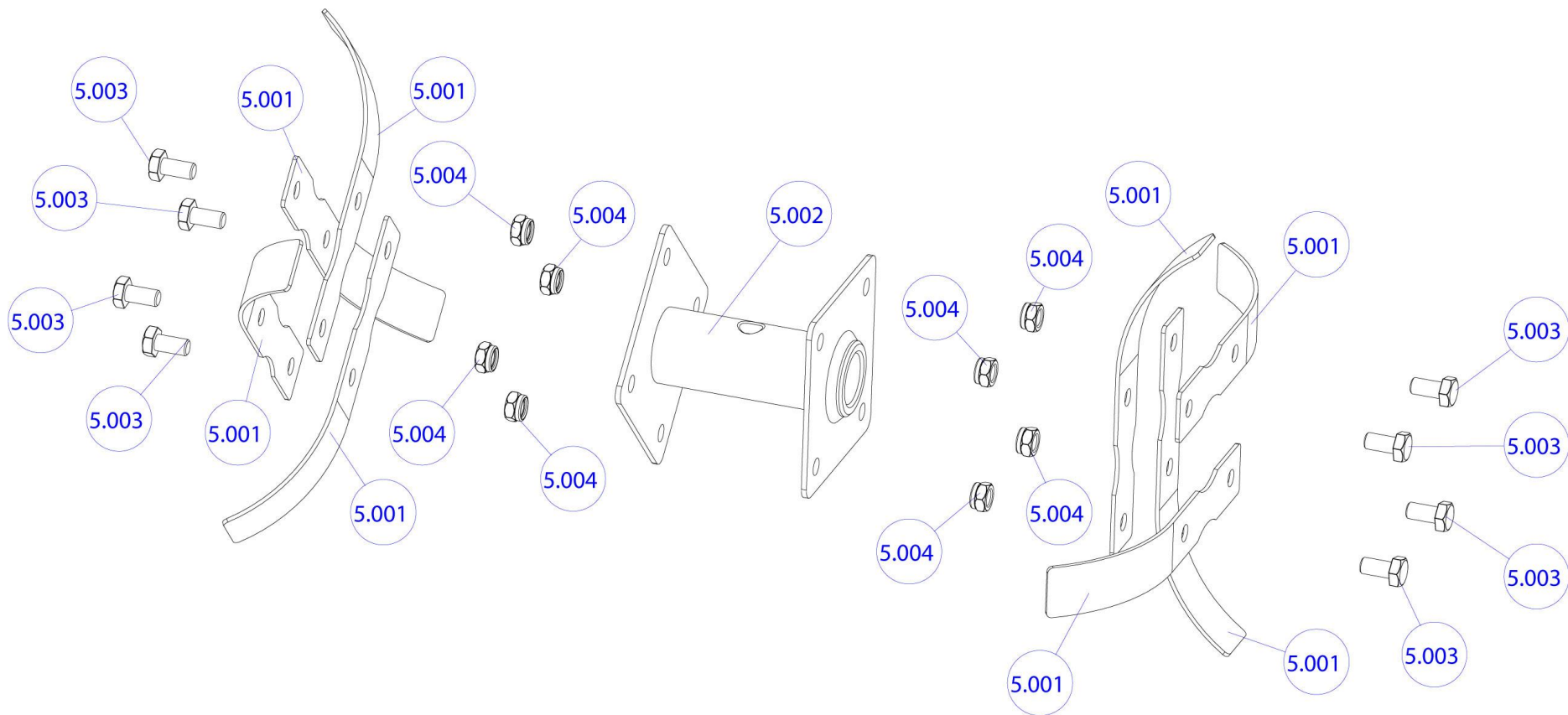
Serial No.	Parts name in English	Spec.	Drawing NO.	Explosive view No.	Qty	Parts NO.
21	Clutch assy			3,0	1	
22	Clutch base	HT250	T10X.03-01	3,001	1	201205015

23	Clutch disc	Q235-A	T10X.03-02	3,002	1	201205016
24	Bearing	φ 35× φ 15×11	GB/T276-1994	3,003	1	G08043
25	Shaft spring collar	φ 15	GB/T894.1-1986	3,004	1	G09020
26	Hole spring collar	φ 35	GB/T893.1-1986	3,005	1	G10012



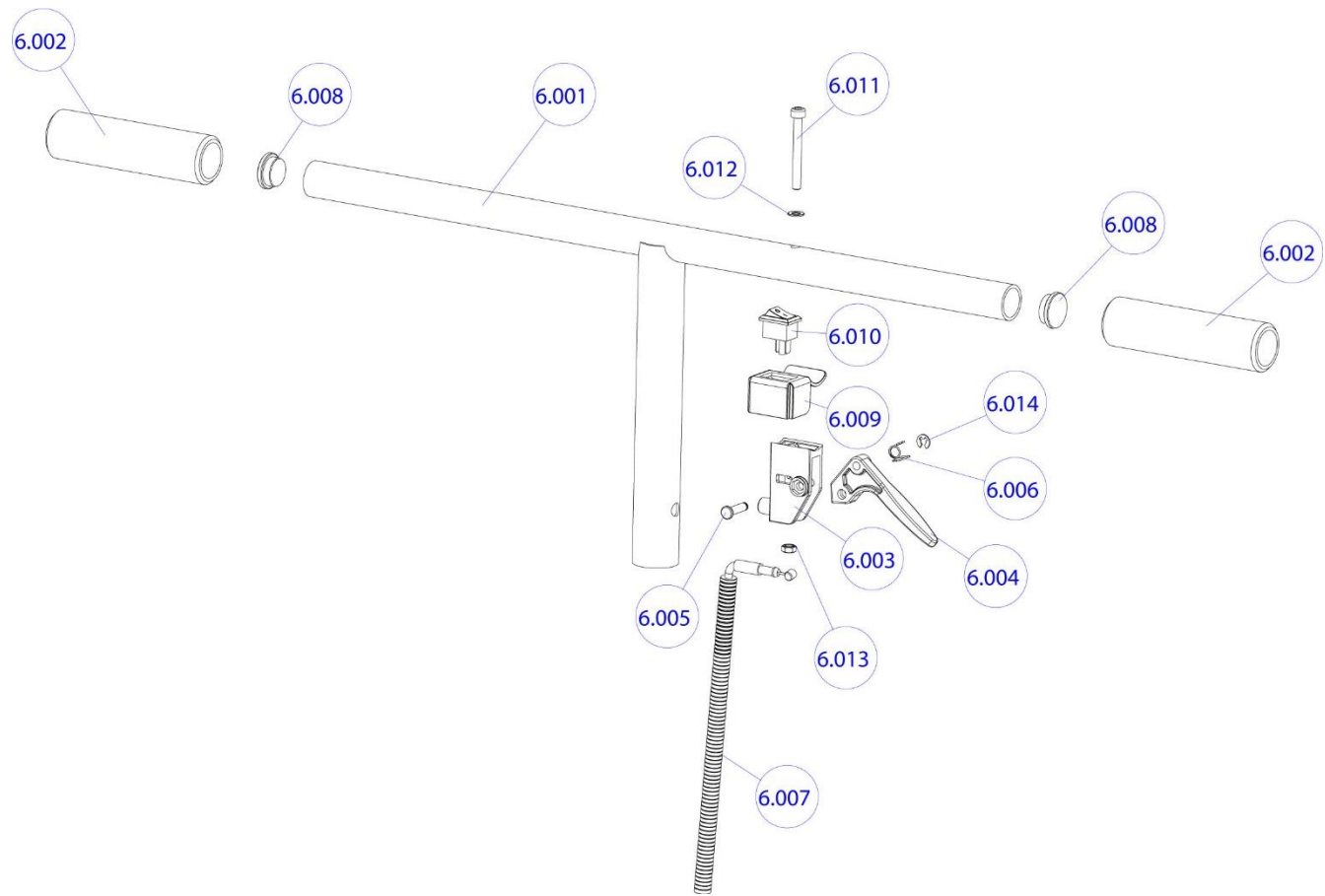
Serial No.	Parts name in English	Spec.	Drawing NO.	Explosive view No.	Qty	Parts NO.
27	Left blade assy			4,0	1	

28	Small blade	65Mn	T10X.04-01	4,001	8	201205017
29	Blade support	Q235-A	T10X.04-02	4,002	1	201205018
30	Bolt	M6×16	GB/T5780-1986	4,003	8	G01115
31	Nut	M6	GB/T1337-1988	4,004	8	G04006



Serial No.	Parts name in English	Spec.	Drawing NO.	Explosive view No.	Qty	Parts NO.
32	Right blade assy			5,0	1	
33	Small blade	65Mn	T10X.04-01	5,001	8	201205017

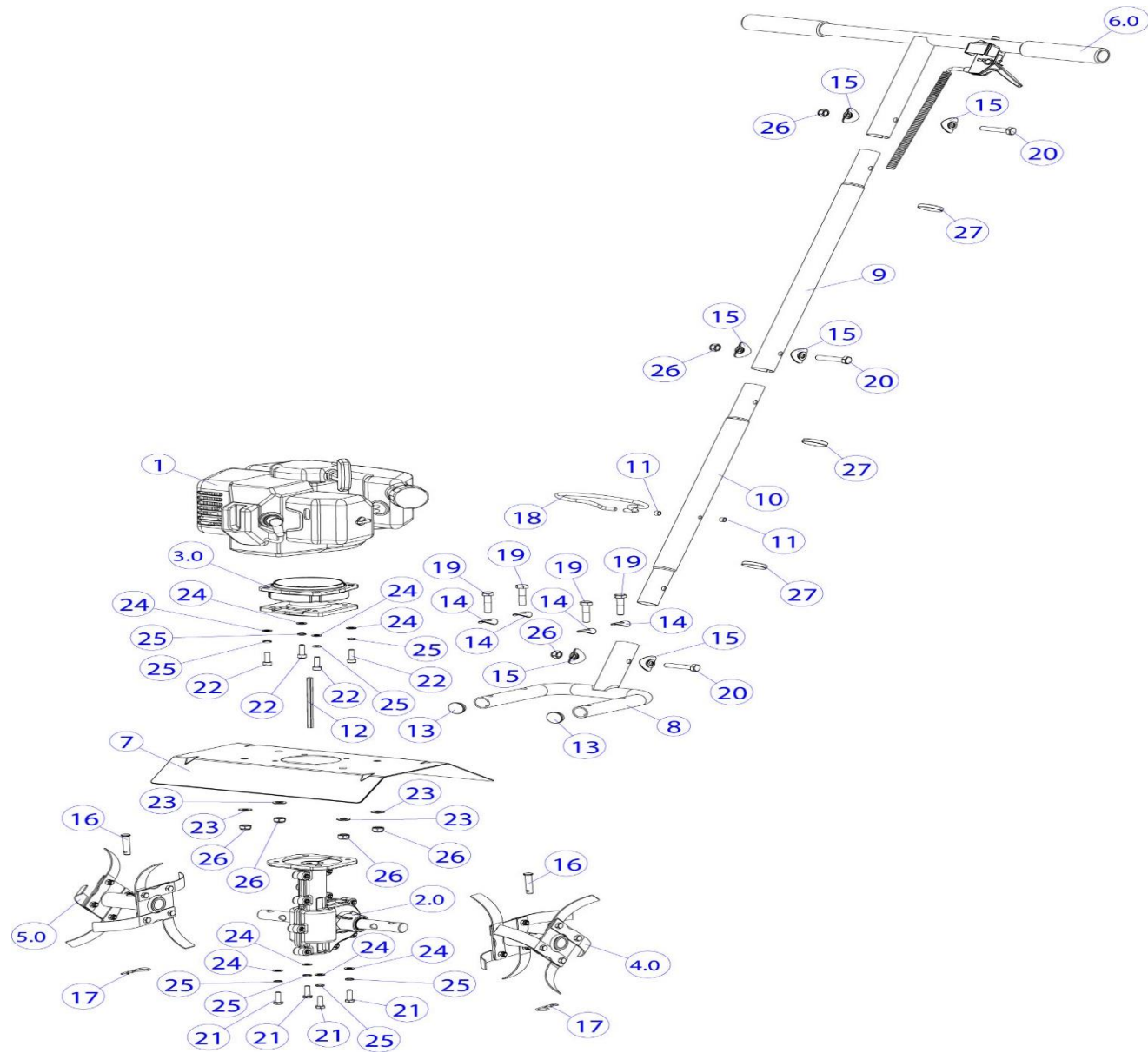
34	Blade support	Q235-A	T10X.04-02	5,002	1	201205018
35	Bolt	M6×16	GB/T5780-1986	5,003	8	G01115
36	Nut	M6	GB/T1337-1988	5,004	8	G04006



Serial No.	Parts name in English	Spec.	Drawing NO.	Explosive view No.	Qty	Parts NO.
37	Handle assy			6,0	1	

38	Upper handle	Q235-A	T10X.06-01	6,001	1	201205019
39	Sponge tube	海绵	T10X.06-02	6,002	2	201205020
40	Speed lever base	PA6-GF30	T10X.06-03	6,003	1	201205021
41	Speed lever	PA6-GF30	T10X.06-04	6,004	1	201205022
42	Pin	Q235-A	T10X.06-05	6,005	1	201205023
43	Spring	65Mn	T10X.06-06	6,006	1	201205024
44	Speed wire		T10X.06-07	6,007	1	201205025
45	Rubber plug	橡胶	DGN360Z.11-01	6,008	2	201102015
46	Switch support	20#	T250F OHV 6.0欧 -02	6,009	1	201101025
47	Switch	"0"常闭/"I"常开	T250F OHV 6.0欧 -03	6,010	1	201101024
48	Screw	M5×45	GB/T70-1985	6,011	1	G01155
49	Flat washer	φ5	GB/T95-1985	6,012	1	G02004
50	Nut	M5	GB/T6170-1986	6,013	1	G04003

51	Spring collar	ϕ 4		6,014	1	201205026
-----------	----------------------	----------	--	--------------	----------	------------------



Serial No.	Parts name in English	Spec.	Drawing NO.	Explosive view No.	Qty	Parts NO.
52	Blade cover	Q235-A	T10X.00-01	7	1	201205027
53	Nether connect tube	Q235-A	T10X.00-02	8	1	201205028
54	Middle connect tube A	Q235-A	T10X.00-03	9	1	201205029
55	Middle connect tube B	Q235-A	T10X.00-04	10	1	201205030
56	Limit bush	Q235-A	T10X.00-05	11	2	201205031
57	Square shaft	40Cr	T10X.00-06	12	1	201205032
58	Rubber plug	橡胶	DGN360Z.11-01	13	2	201102015
59	Arch styl Washer	20#	T035B-02	14	4	201101036
60	Arch styl Washer 2	65Mn	T250BR-27	15	6	201102118
61	Pin	φ 8x38	ZHsw.02-04	16	2	201101052
62	Cotter pin	65Mn	ZHsw.02-05	17	2	201101032
63	Ring	碳素弹簧钢丝	360TXJ-03-01-02	18	1	201108005

64	Bolt	M8×35	GB/T5780-1986	19	4	G01047
65	Bolt	M8×40	GB/T5780-1986	20	3	G01003
66	Bolt	M6×20	GB/T5780-1986	21	4	G01139
67	Screw	M6×20	GB/T70-1985	22	4	G01024
68	Flat washer	φ 8	GB/T95-1985	23	4	G02003
69	Flat washer	φ 6	GB/T95-1985	24	8	G02008
70	Spring washer	φ 6	GB/T93-1987	25	8	G03003
71	Nut	M8	GB/T1337-1988	26	7	G04005
72	Nylon ribbon	6×250		27	3	201205033