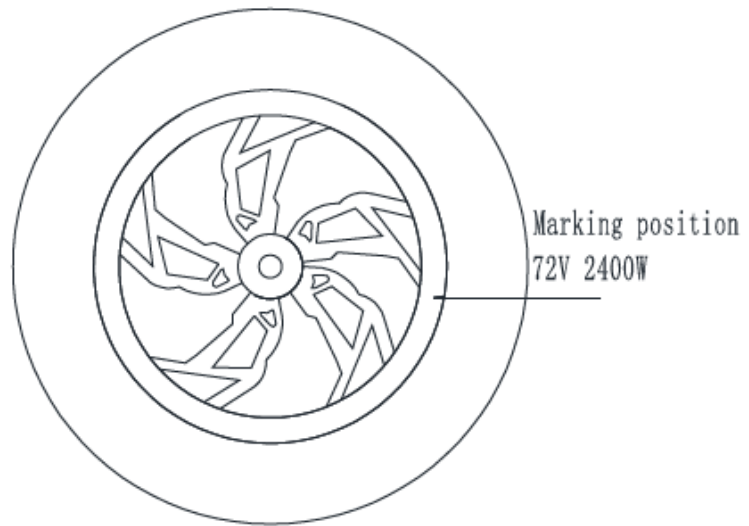
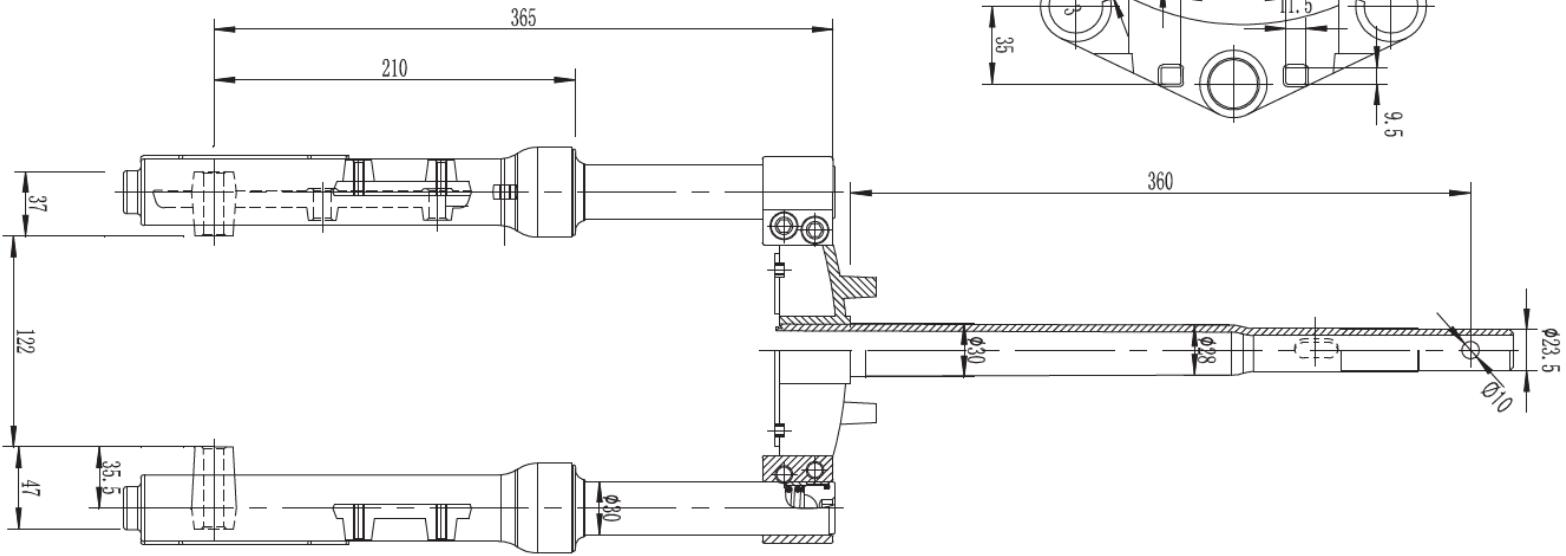
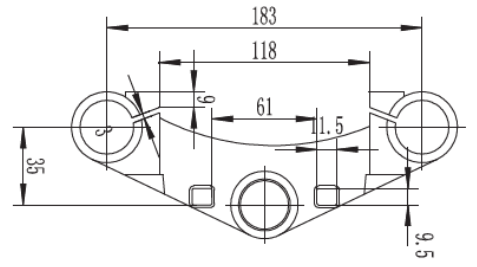
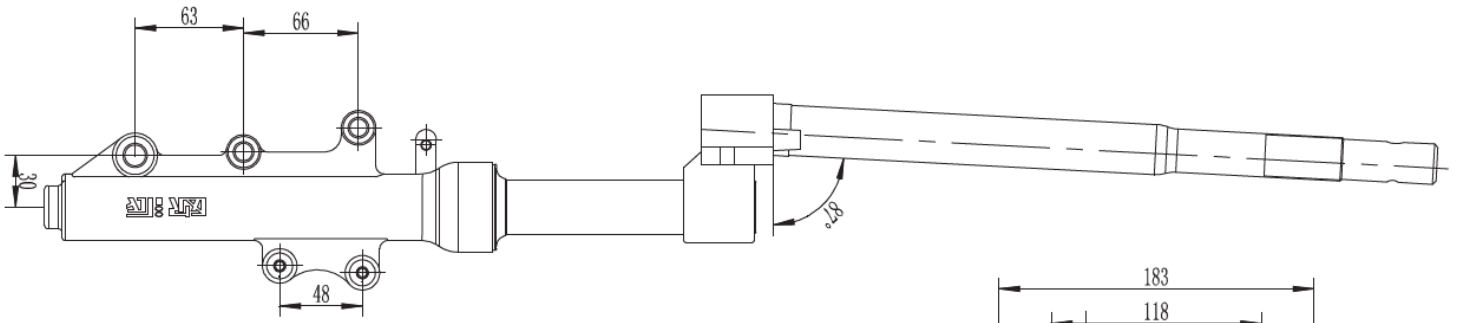
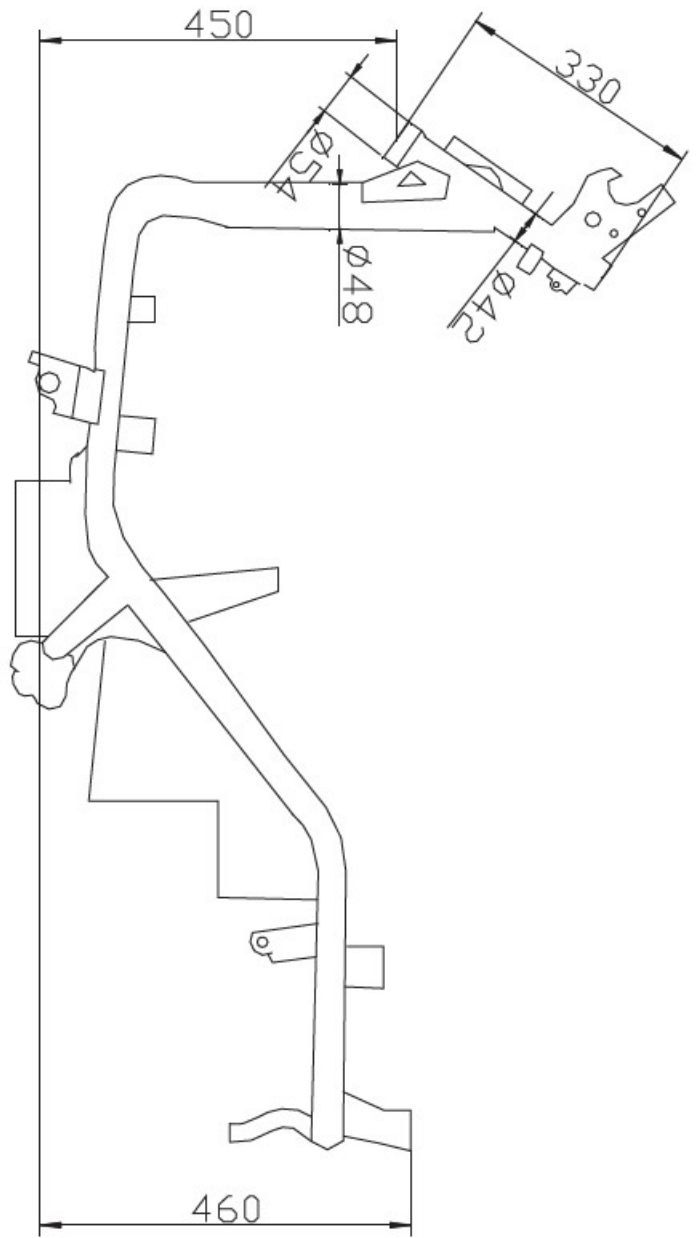
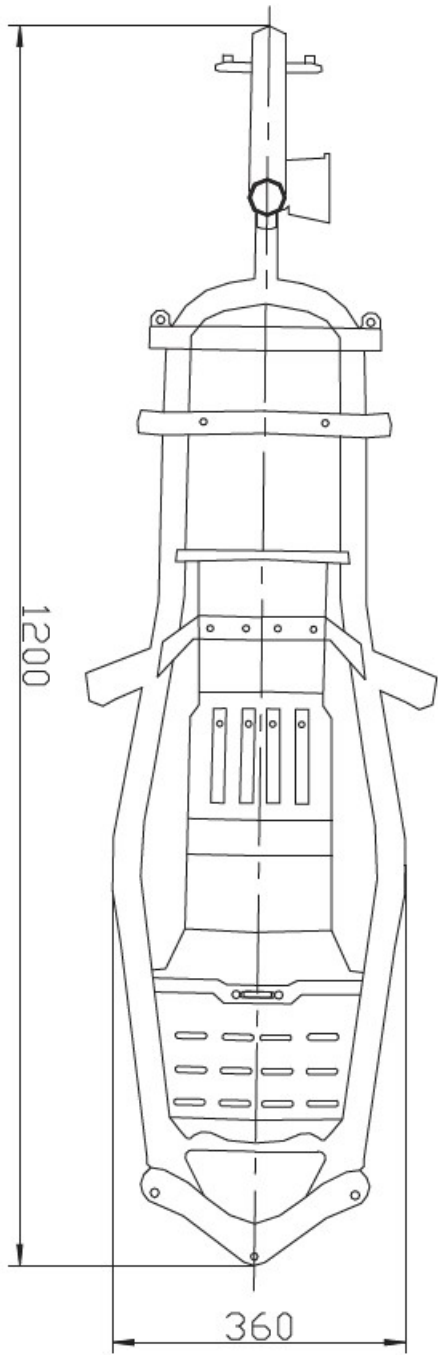


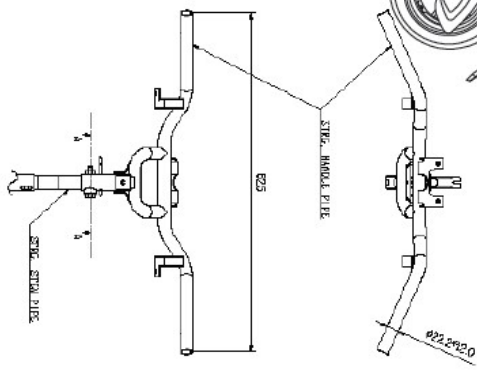
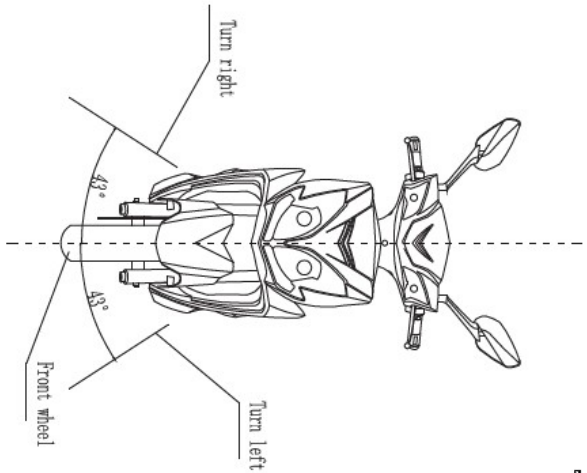
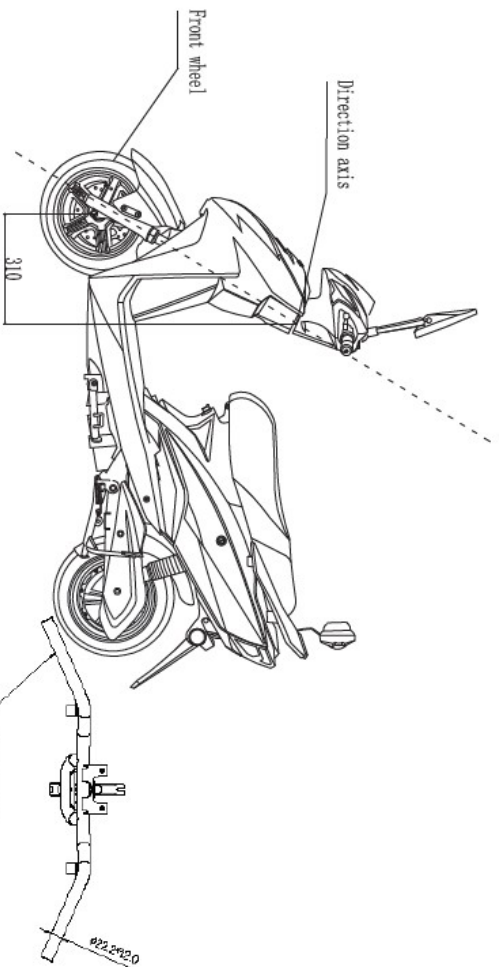
A-A



B View





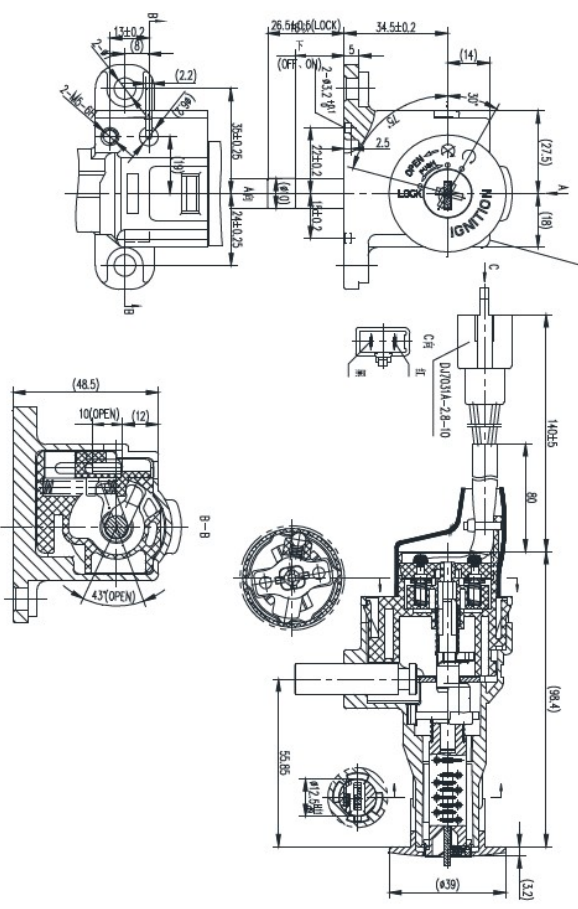
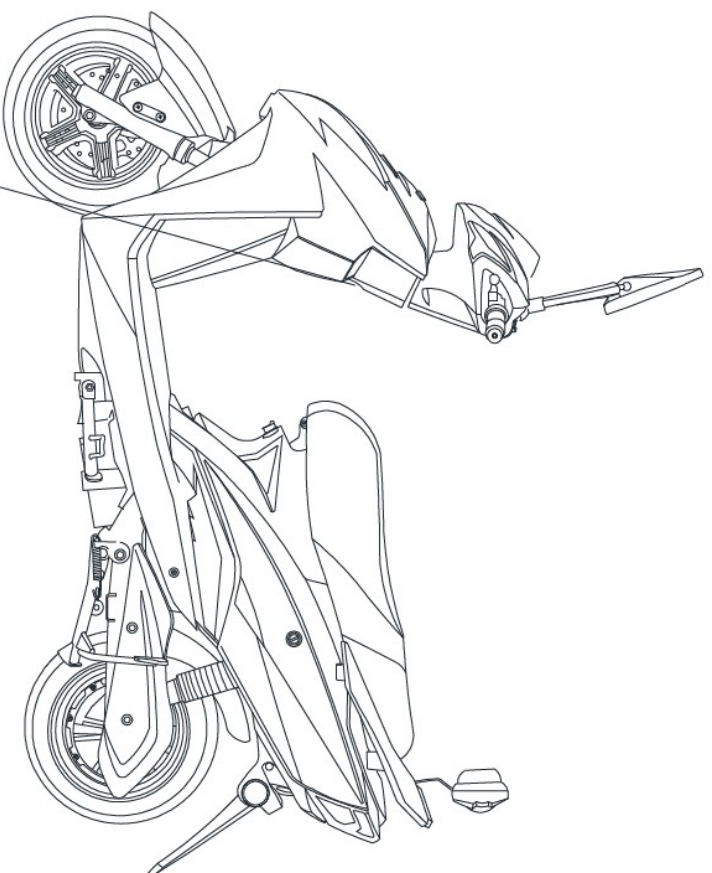


SECTION : 1.4

Material: Steel

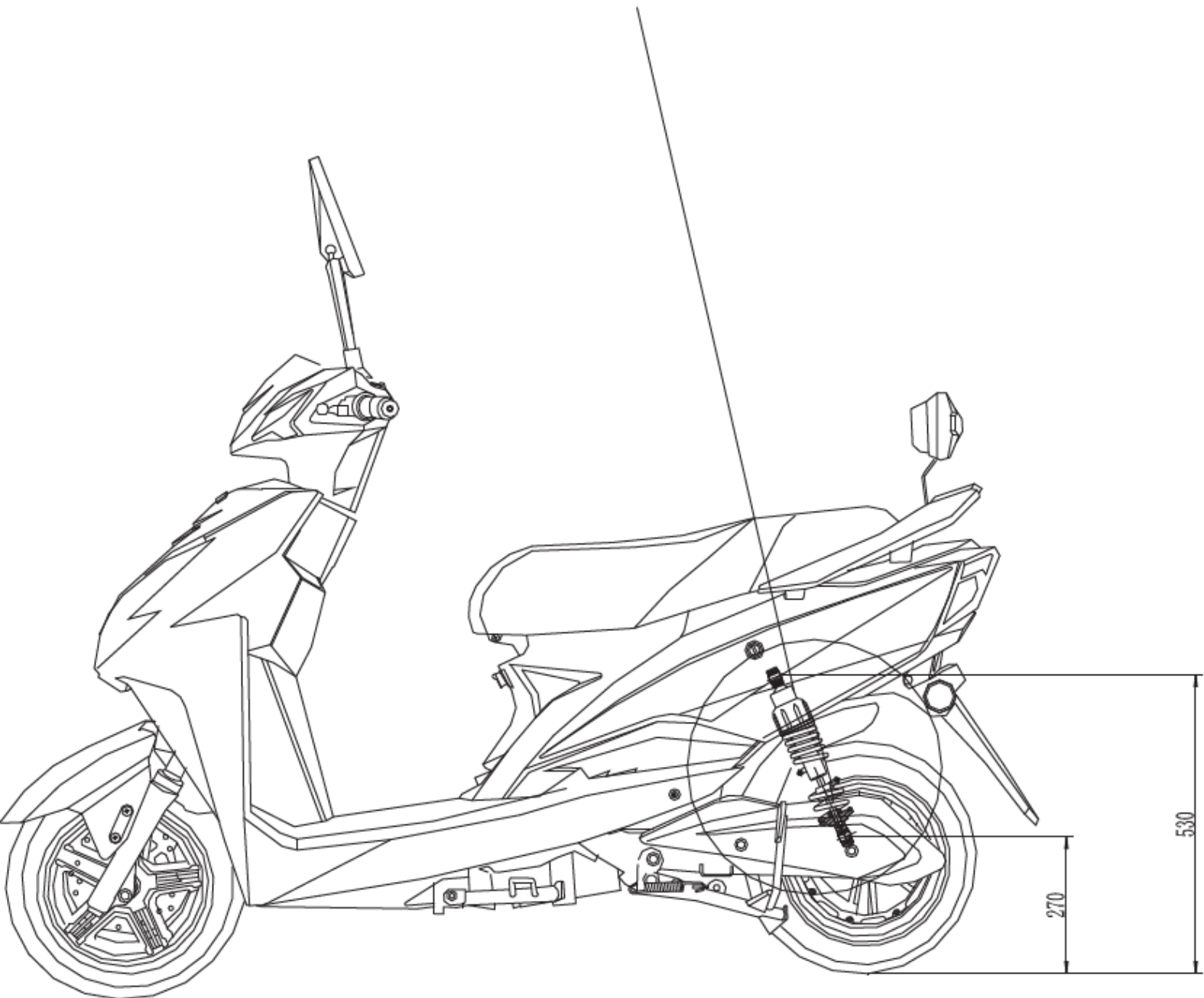
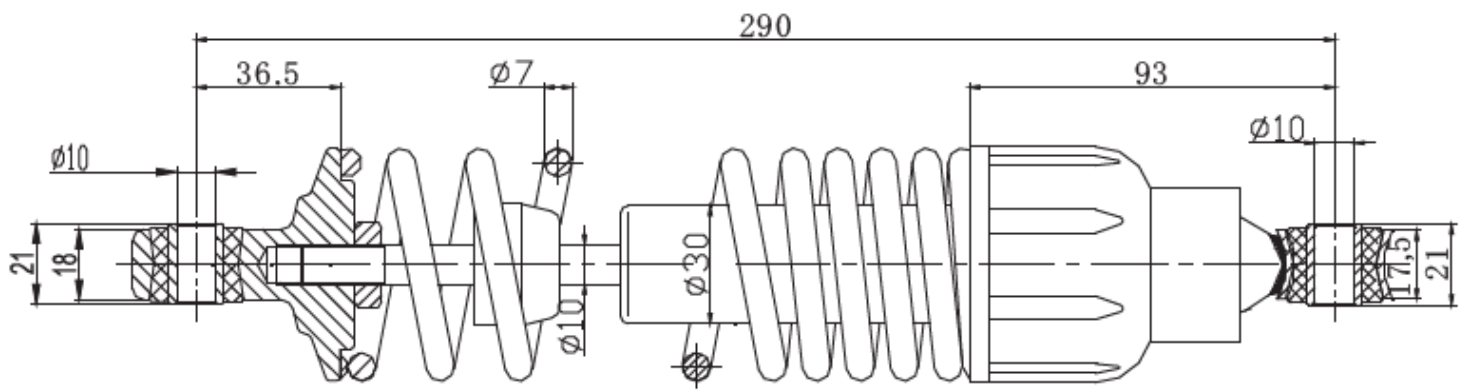
1. Steering handle pipe:  $\phi$  20mm
2. Steering stem pipe:  $\phi$  25mm
3. Steering angle: R 43 L 43

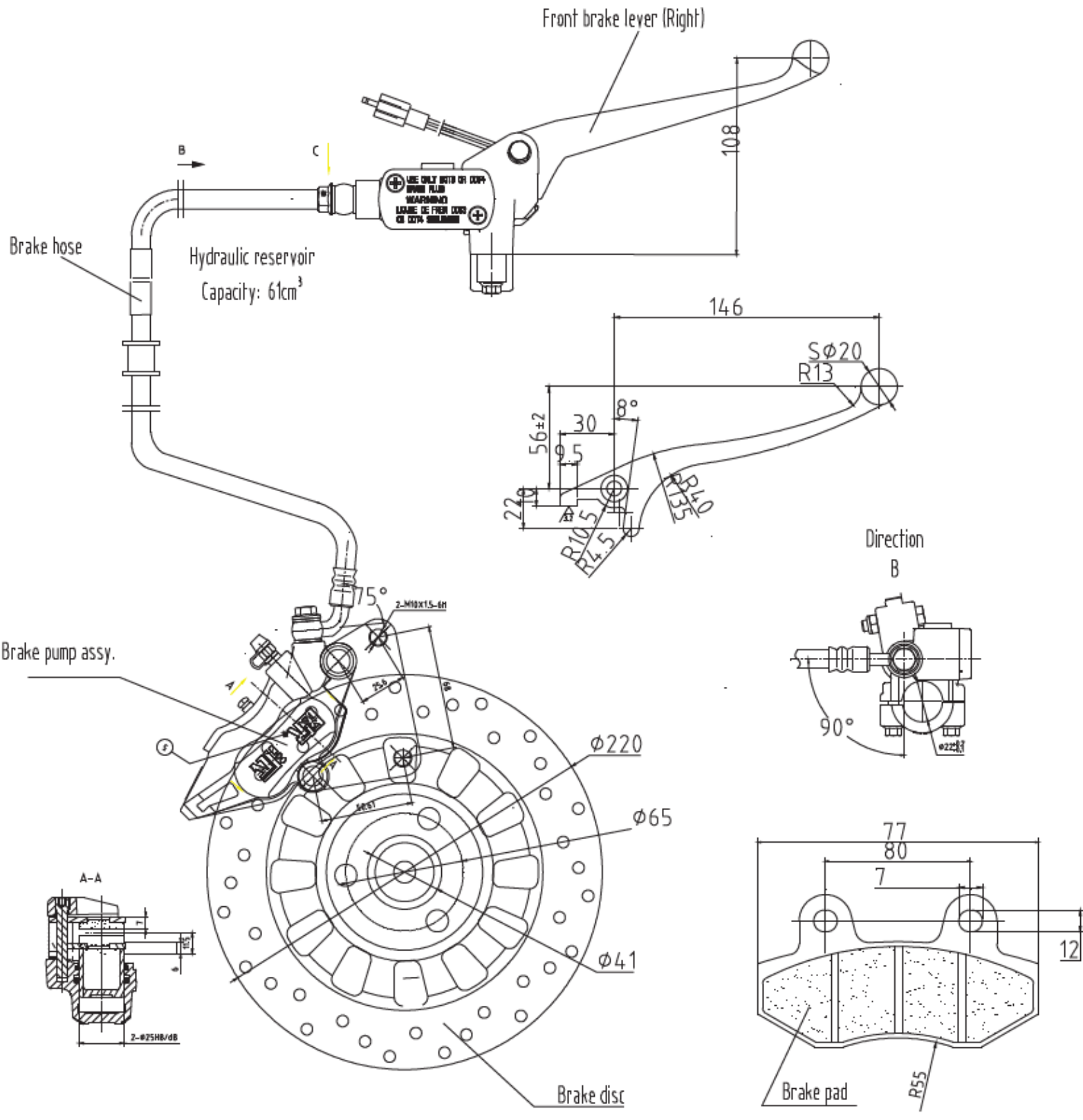
Title	Transmission and Control of Steering
-------	--------------------------------------



The locking angle of steering spindle: 43 degree

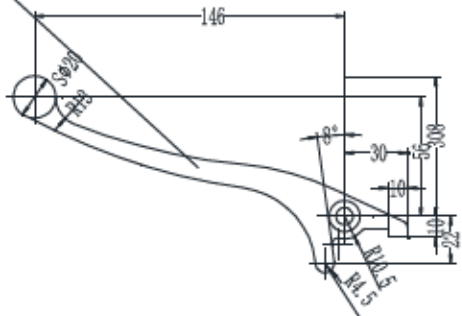
Title	Anti-theft Device
-------	-------------------







Rear Brake Lever



Brake cable

Rear brake drum

