

**POS.****DESCRIERE****A**

ETRIER FATA

**B**

DISC DE FRANA FATA

**C**

MANERUL FRANEI FATA

**D**

FURTUN FRANA FATA

**E**

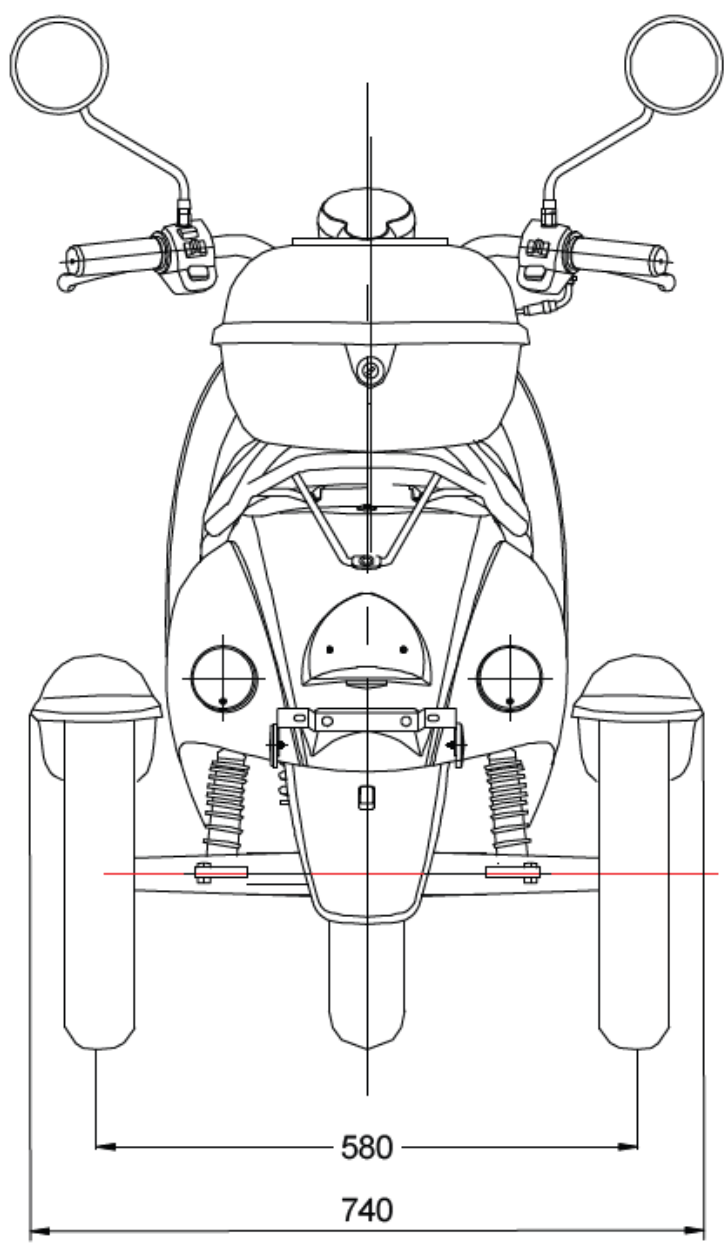
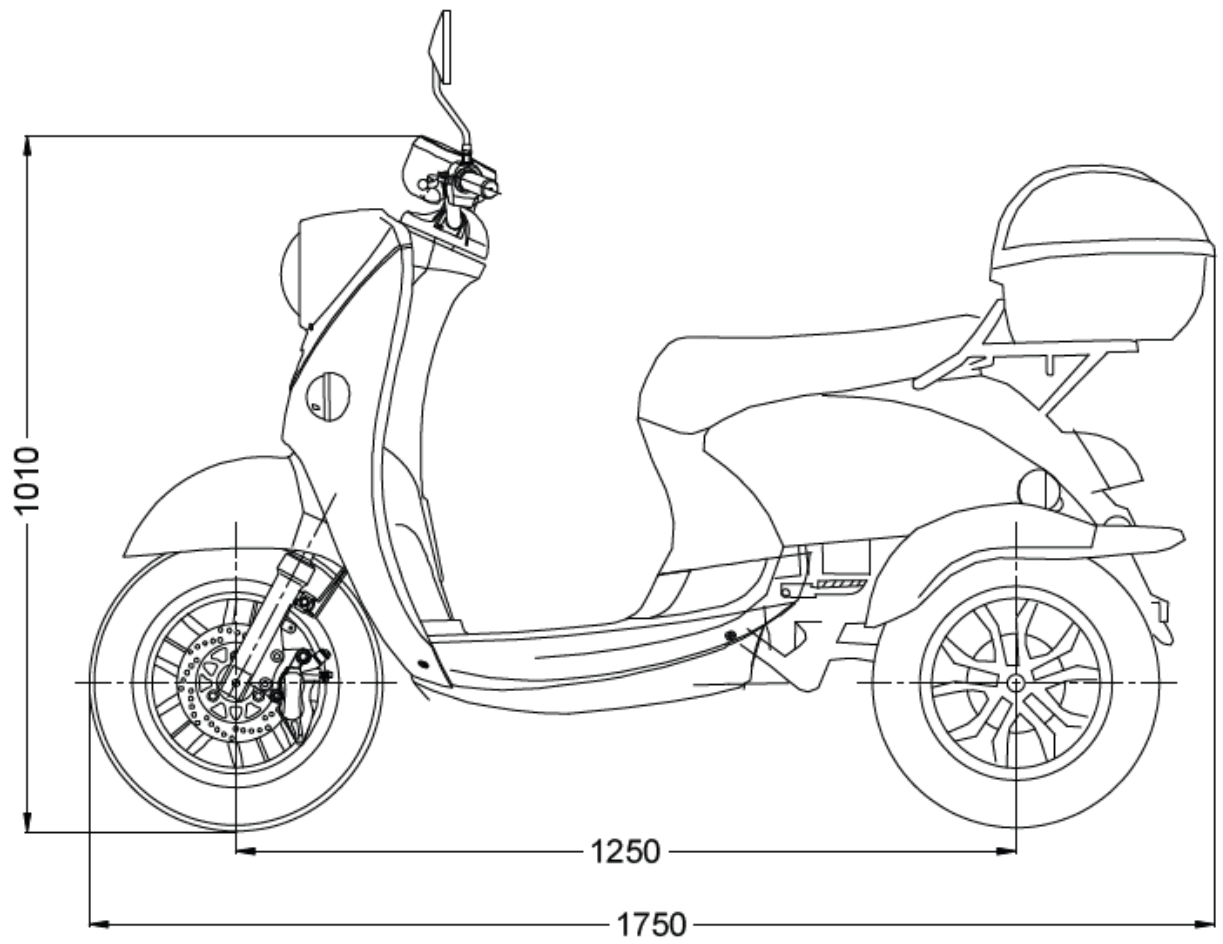
CABLU FRANA SPATE

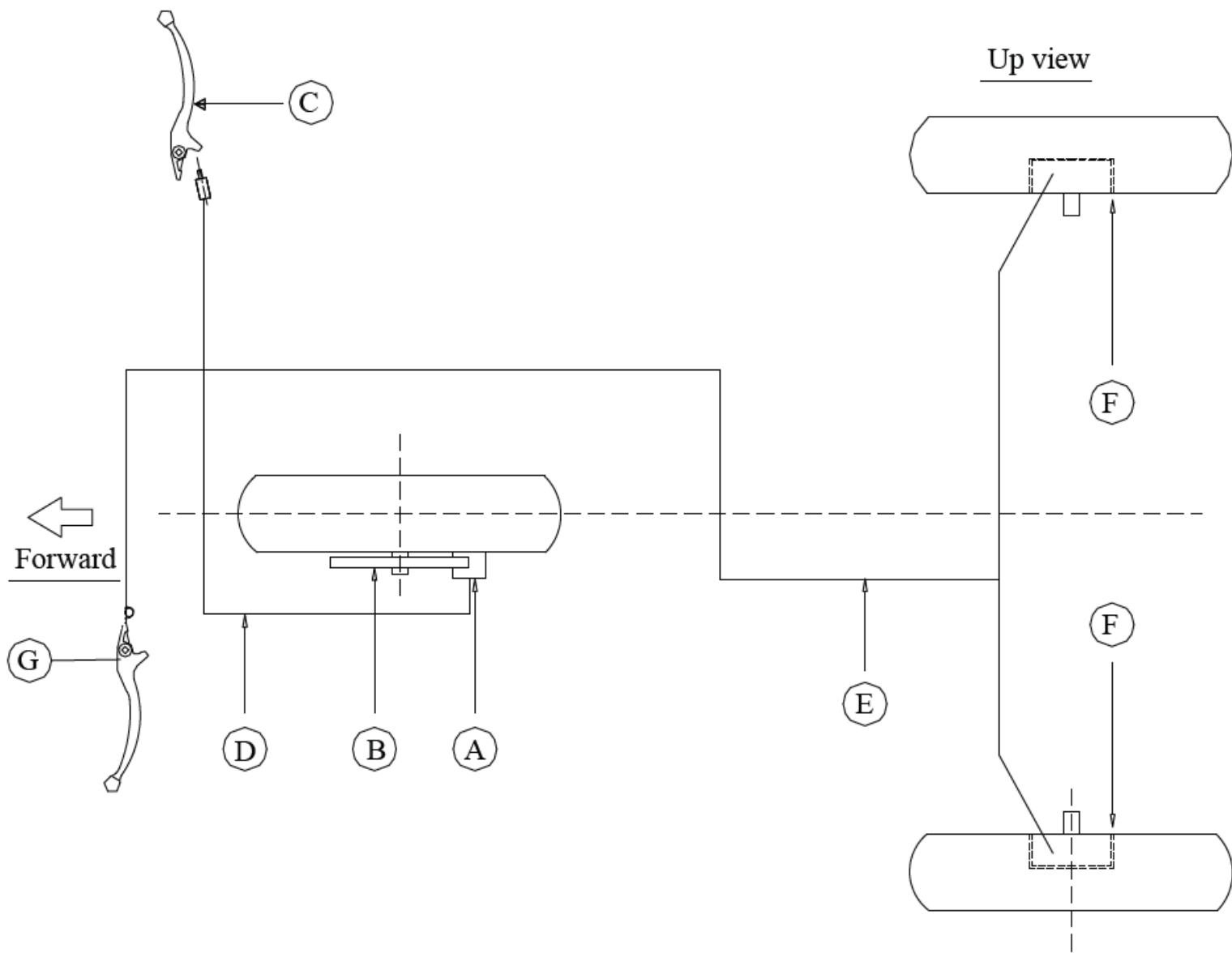
**F**

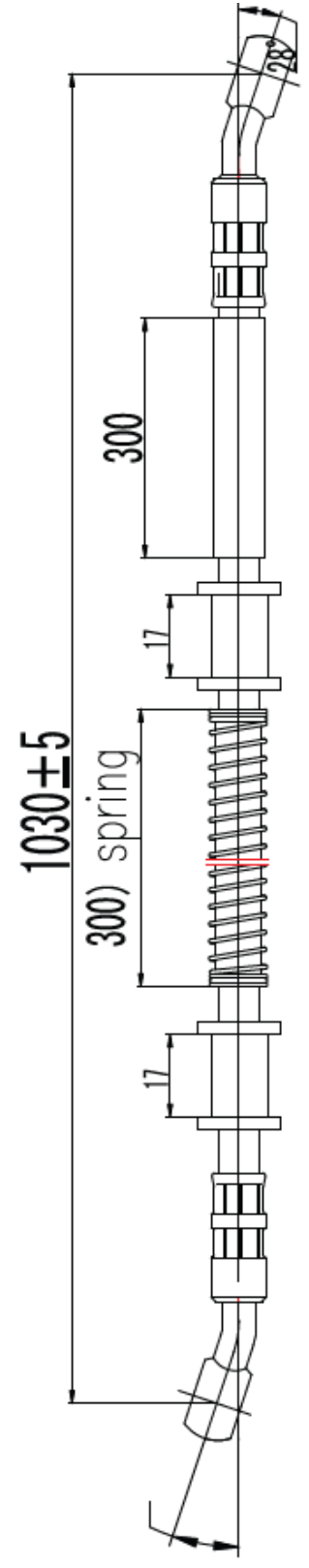
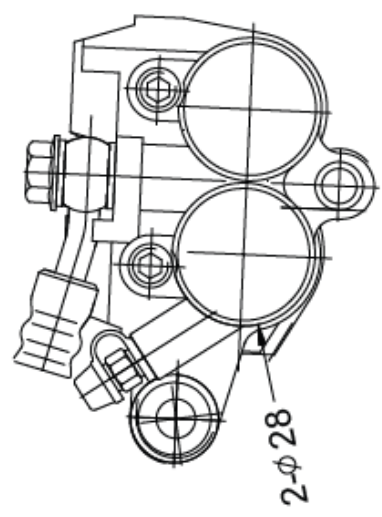
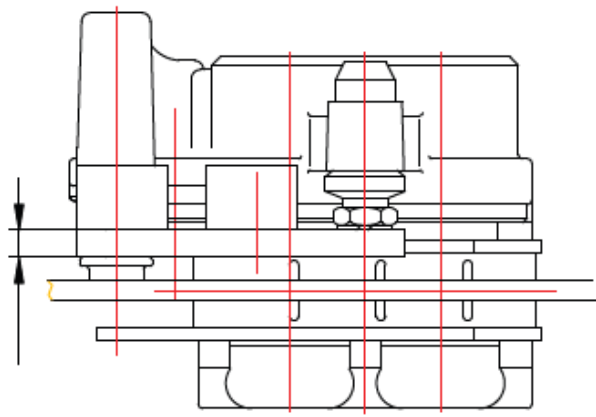
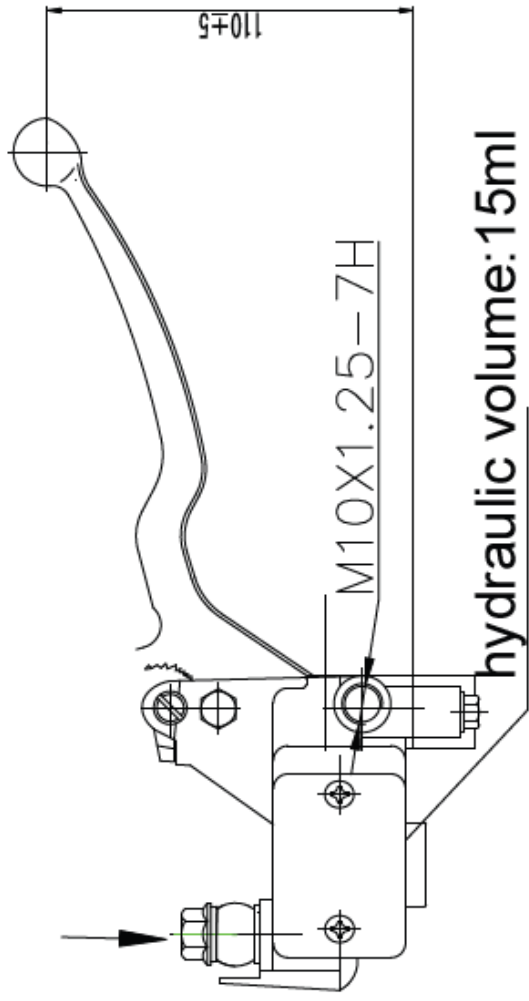
TAMBUR DE FRANA SPATE

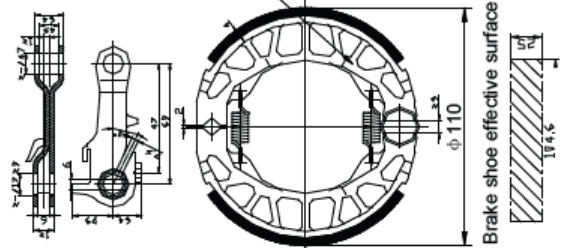
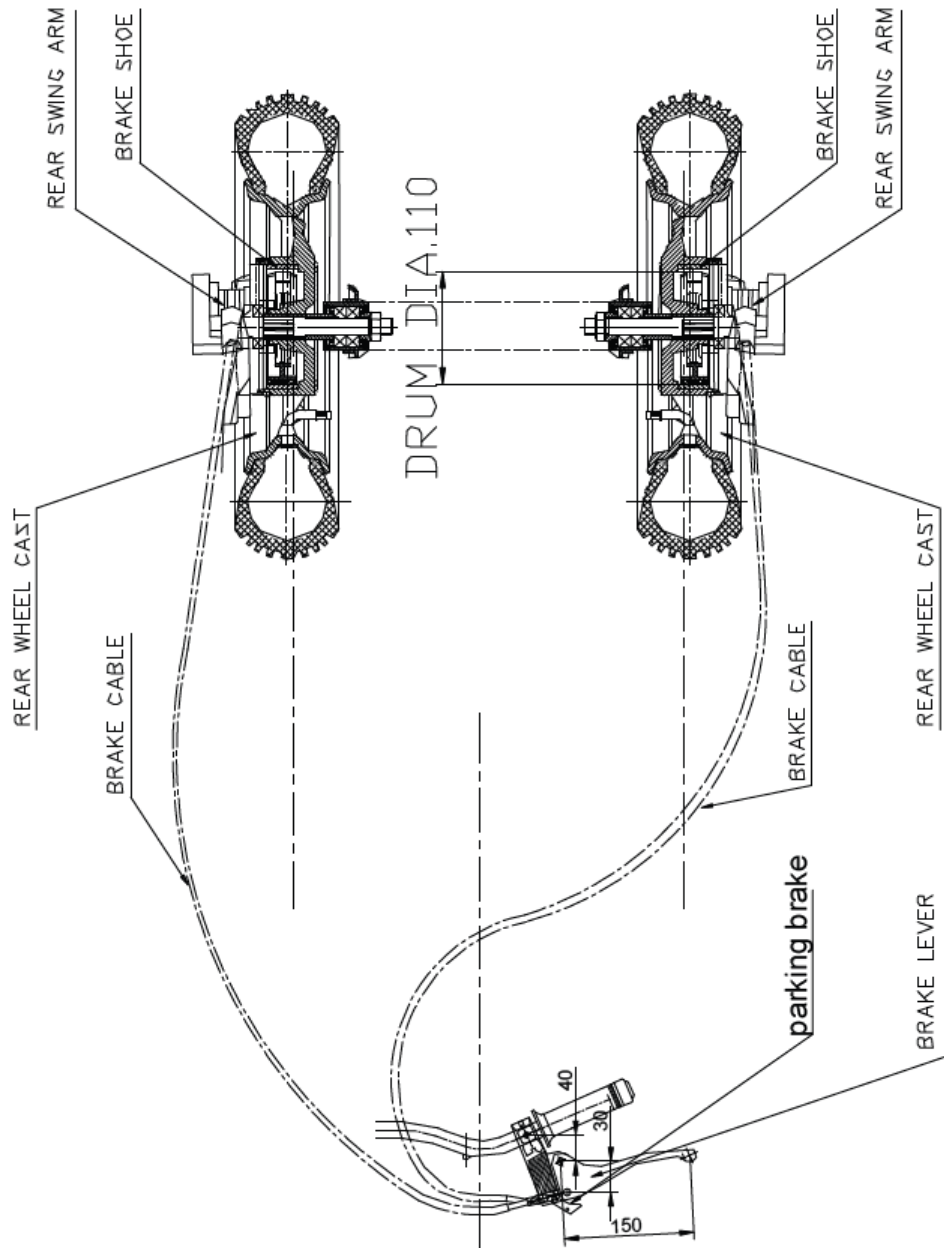
**G**

MANETA FRANA SPATE









Rear brake shoe  
 Make: TANGZE  
 Type: KG2110MF  
 Material: No asbestos  
 Brake plate area:  $2615\text{mm}^2 \times 2 = 5230\text{mm}^2$

